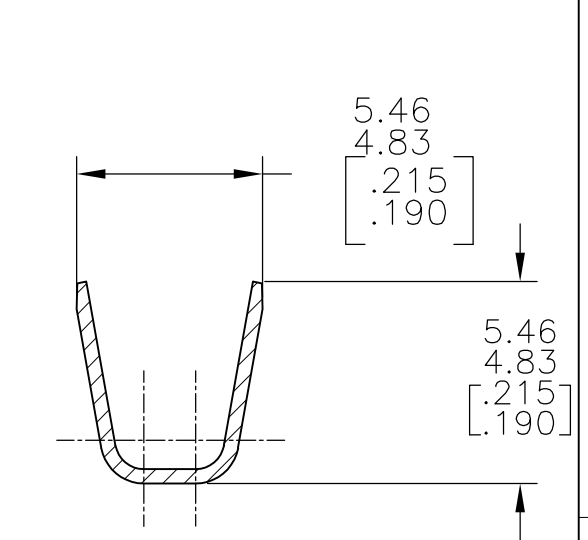
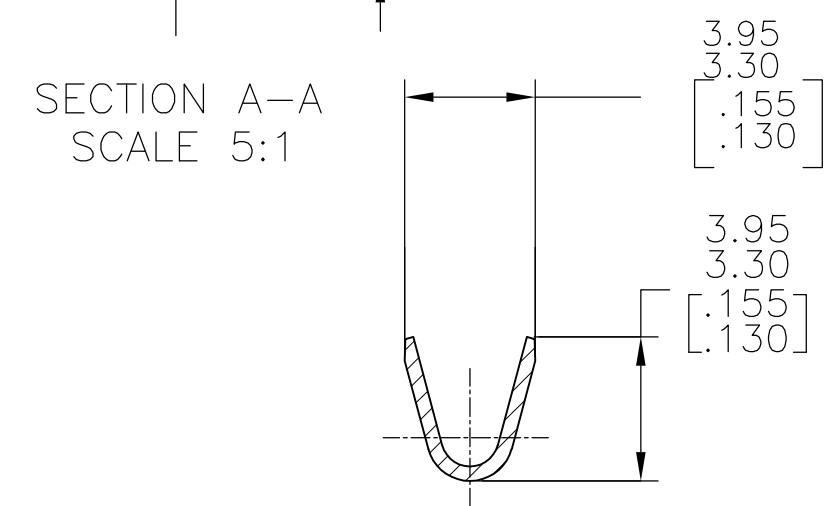
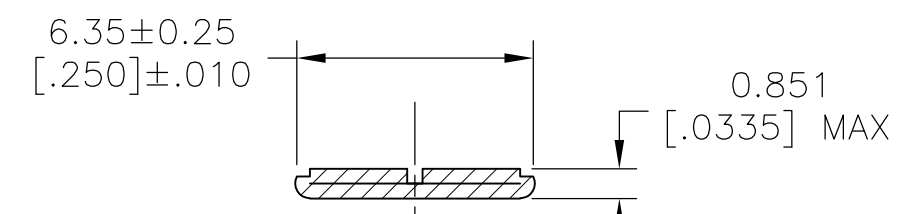
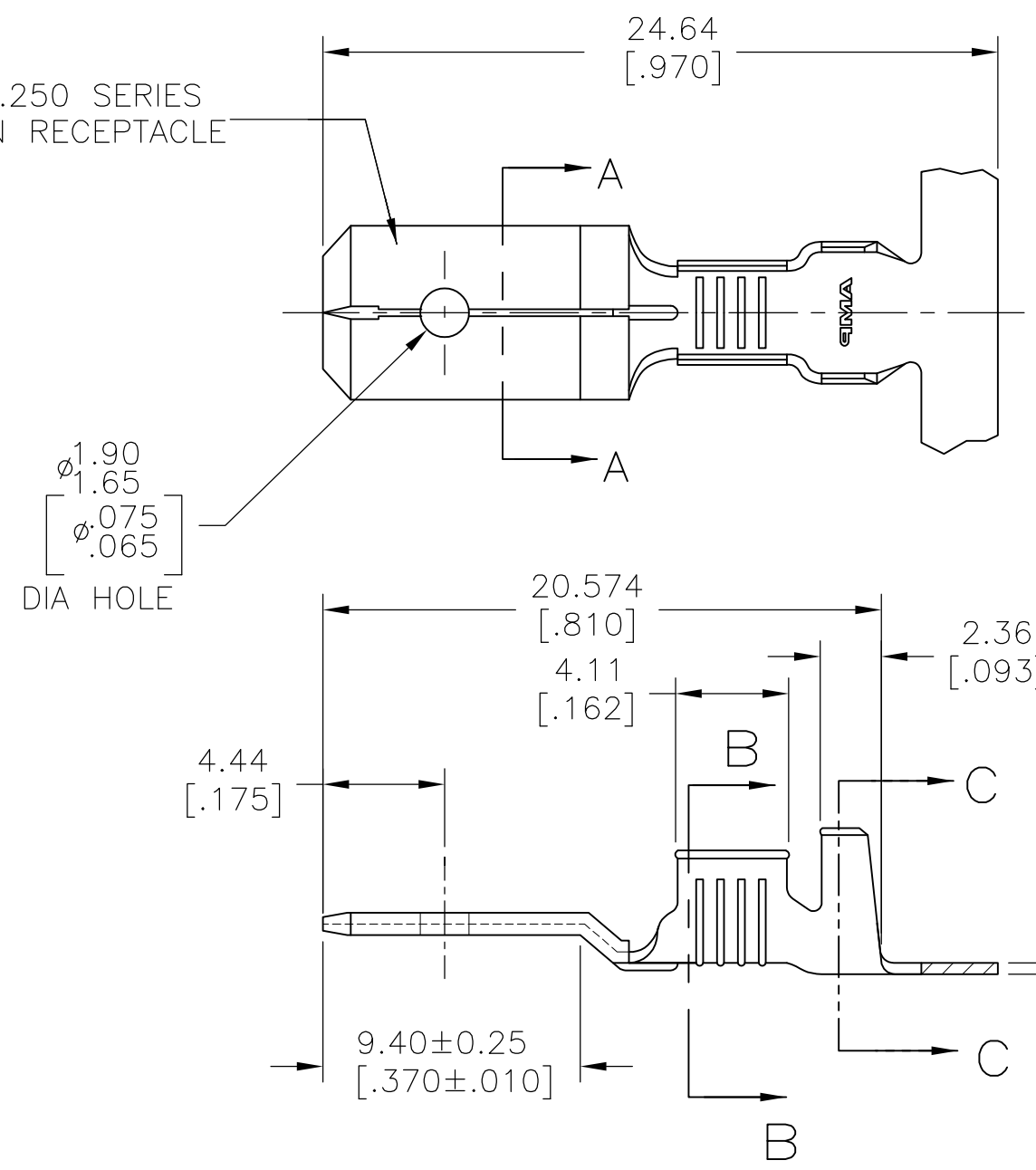


THIS DRAWING IS UNPUBLISHED. RELEASED FOR PUBLICATION
 © COPYRIGHT - By - ALL RIGHTS RESERVED.

LOC	DIST	REVISIONS					
AF	50	P	LTR	DESCRIPTION	DATE	DWN	APVD
		V		REVISED PER ECR-13-011489	06DEC2013	KH	PD

FITS .250 SERIES FASTON RECEPTACLE



6	4	TIN	2.794-3.81 [.110-.150] DIA	18-14 AWG	42474-7
5		-			42474-6
5		SILVER .000120 MIN			42474-5
4		TIN			42474-4
3		-			42474-3
		TIN			42474-2
5		-		42474-1	
FINISH			INSULATION RANGE	WIRE SIZE	PART NO

- 1 CONTINUOUS STRIP ON REELS.
- 2 FEED TO BE .540#.005.
- 3 REVERSED REEL OF 42474-1.
- 4 REVERSED REEL OF 42474-2.
- 5 FOREIGN PRODUCTION ONLY.
- 6 LUBRICANT APPLIED AFTER TIN PLATING.

THIS DRAWING IS A CONTROLLED DOCUMENT.

DIMENSIONS: mm [INCHES]	TOLERANCES UNLESS OTHERWISE SPECIFIED:	DWN JR RUTH 1/31/91	STE TE Connectivity		
	0 PLC ± - 1 PLC ± - 2 PLC ± - 3 PLC ± .015 4 PLC ± - ANGLES ± -	CHK MS FEHER 1/31/91			
MATERIAL BRASS	FINISH SEE TABLE	APVD C MEYERS 1/31/91	NAME TAB, FASTON™ .250 SERIES		
		PRODUCT SPEC -	SIZE A3	CAGE CODE 00779	DRAWING NO C-42474
		APPLICATION SPEC -	RESTRICTED TO -		
		WEIGHT -	SCALE 4:1	SHEET 1 OF 1	REV V

CUSTOMER DRAWING